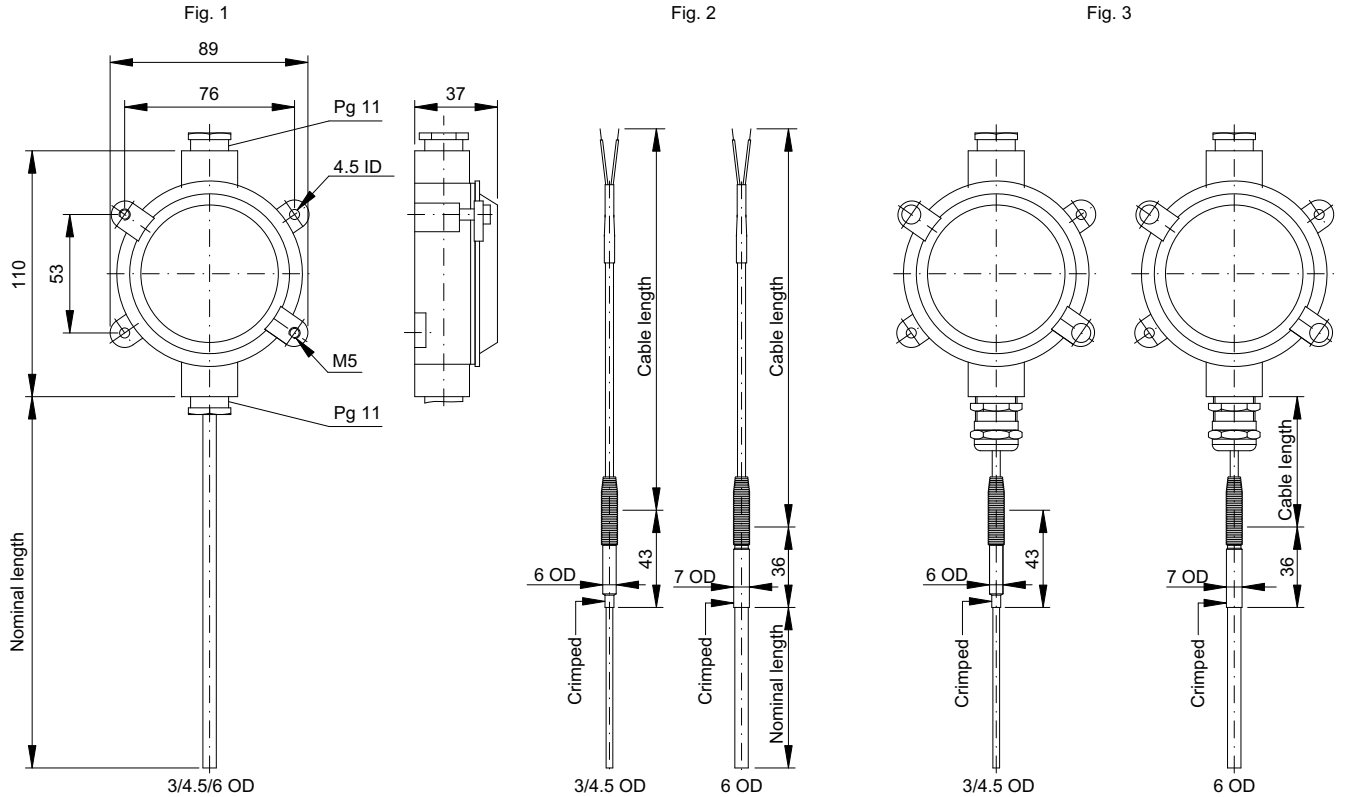


Dimensions



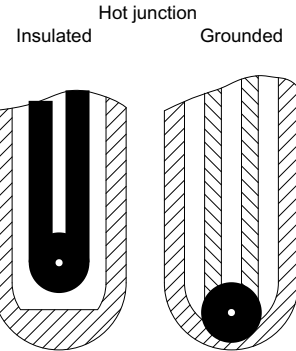
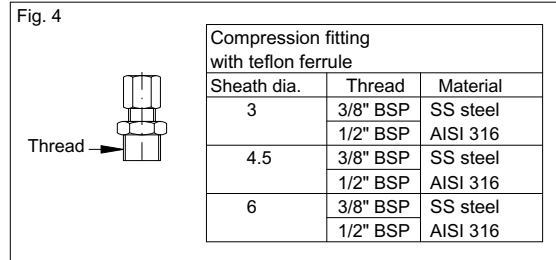
Insulation resistance and test voltage @ 20°C

Depending of temperature and length acc. to IEC 1515

Diameter mm	Number of thermocouples			
	1		2	
	U Volt	Rmin M ohm x m	U Volt	Rmin M ohm x m
3 - 6	500 ±50	1000	250 ±50	1000

Bending radius
Min. bending radius is
5 x D @ repeatable bendings
2 x D @ stationary bending

Process connection



Type Approvals

- Lloyd's Register of Shipping
- Det Norske Veritas

Response time Hot junction insulated Hot junction grounded

Sheath diameter	Response time in seconds (guidelines)				Response time in seconds (guidelines)			
	In water @ 0.2m/sec.		In air @ 2m/sec.		In water @ 0.2m/sec.		In air @ 2m/sec.	
	t _{0.5}	t _{0.9}	t _{0.5}	t _{0.9}	t _{0.5}	t _{0.9}	t _{0.5}	t _{0.9}
3	1,2	2,9	23	80	0,22	0,75	23	80
4.5	2,5	7,5	42	130	0,4	1,2	45	135
6	4	9,6	60	200	0,55	2,6	55	185

Note:

The 0.5/0.9 time is the time that it takes the sensor to reach 50%/90% of the final value of a temperature change of a medium.
If media and velocity are different from the ones stated, the time can change significantly.

Connection diagram

